



MINI WINDOW INSTALLATION INSTRUCTIONS

On the back of this page you will find a diagram of the Eastern MINI Window Awning. It will be necessary to refer to this diagram while reading these instructions so you can properly install your awning.

LOCATING AND FASTENING THE BRACKETS

The MINI Window Awning can easily be mounted on window casings or walls. Snap a level line on the wall the width of the awning and 1/4" below the point you have determined to be the top of the hood (#3). Position the top of the brackets (#10) even with the chalk line and approximately 6" in from either end of the hood (#3). Space any additional brackets evenly between the two end brackets. Fasten all awning mounting brackets (#10) to the wall or casing with 1/4" diameter by 2" or longer wood screws as shown on the diagram. If the wood is rotten, an alternate method of fastening may be necessary. When mounting to masonry or concrete consult your local fastener distributor to assist you in choosing the proper anchors for this job.

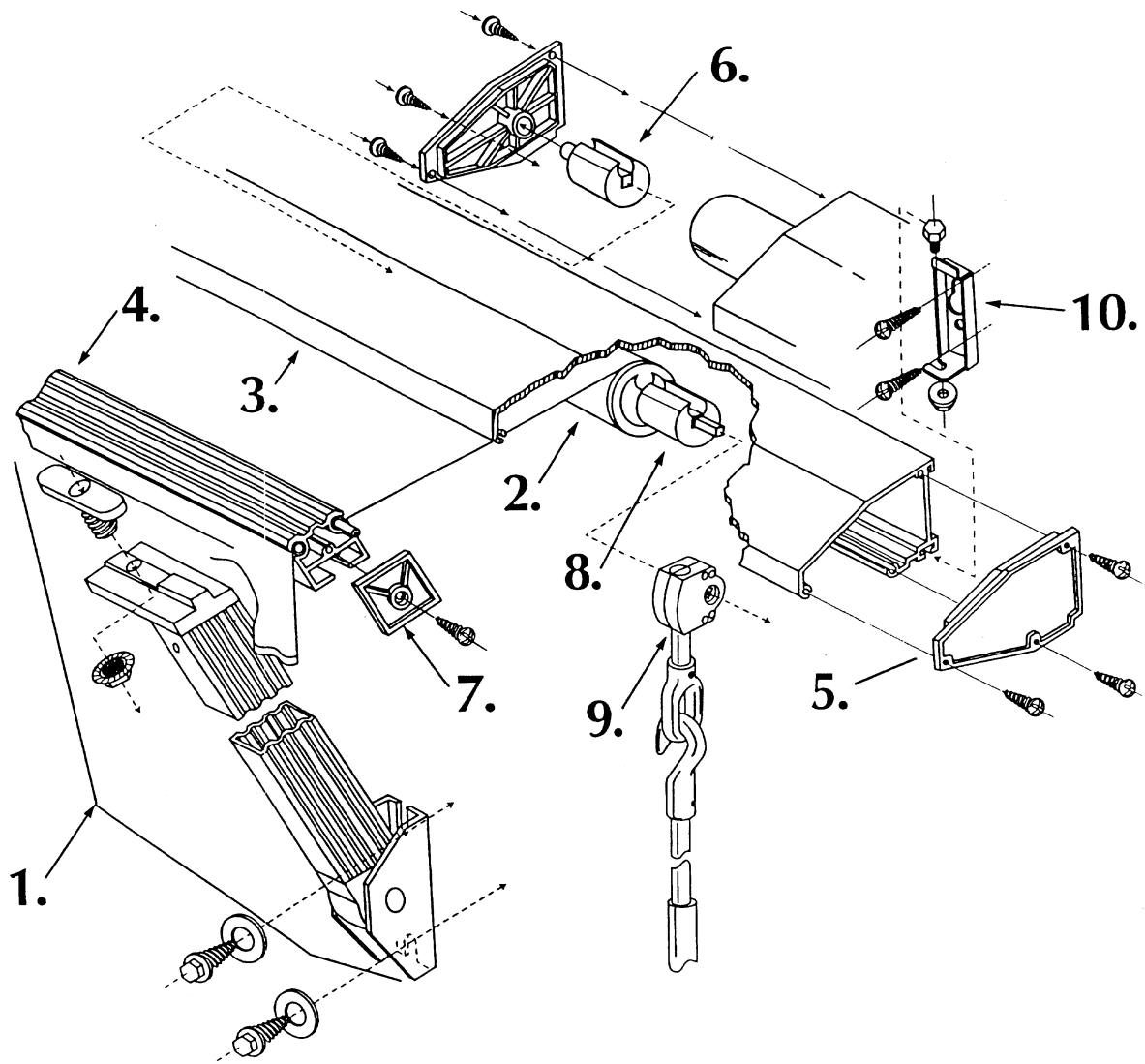
INSTALLING THE AWNING

Place the upper back groove of the hood onto the upper hook of the bracket. Slide the factory installed track bolts, located at the lower back of the hood, into the bottom openings of each mounting bracket.

Position the hood centered over the opening and tighten all mounting bracket nuts.

INSTALLING THE ARMS

To determine the proper mounting height of the arms, subtract 1/2" from the projection of the awning ordered. Use this dimension and measure from the bottom of the hood (#3) vertically down the wall marking the location for the bottom of the arm wall bracket. With the arm in its relaxed position, pointing toward the ground, and the front rail arm end facing in to the center of the awning, position the arm wall bracket above the mark on the wall and mark the location of the lag bolts. Install a 5/16" diameter lag by the proper length into the location of the lower hole. Tighten the lag just enough to allow the slot of the arm bracket to slip snugly behind the lag. Install the second lag into the upper hole of the arm wall bracket. Repeat this procedure for all arms. Remove the front rail end cap (#5) and insert one track bolt per arm into the slot of the front rail (#4). Reinstall the front rail end cap. Swing each arm up to the front rail and fasten the arm to the track bolt with the nuts supplied. Level all arms then tighten the nuts securely.



Mini Window Awning Parts List

1. Mini Arm Assembly	#_A610 - _A614
2. Mini Roller Tube	#ME618
3. Mini Hood Profile	#_E619
4. Mini Front Rail	#_E620
5. Mini Hood End Cover	#_P621
6. Round Pin Roller Tube End Cap	#BP624
7. Front Rail End Cap	#_P625
8. Square Pin Roller Tube End Cap	#WP623
9. 3:1 Ratio Worm Gear	#ZE622
10. Wall Mount Bracket	#ME624

Replace the space preceding the part # with a W for White, a B for Bronze, or an S for Silver.